

Phone: 916.683.7111
Fax: 916.691.3168

Web: www.elkgrovecity.org

8401 Laguna Palms Way
Elk Grove, California 95758



Modification or Addition to Improvement Standards and Details

Modification Number: **2013-03**

Effective Date: August 15, 2013

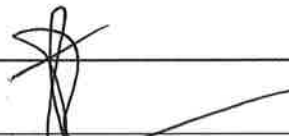
Modification:

1. Amend batter on curb face for Type 5 barrier curb from 4" to 2". The amended standard is attached. Projects with preconstruction meetings prior to effective date are not subject to this modification.

Effect of Modification:

1. To achieve consistency with all curb types shown on detail.

Request for Modification Initiated By:


Construction Manager

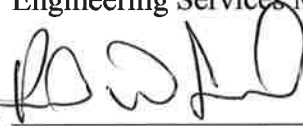
4/3/14
Date

Modification Reviewed for Conformity and Consistency to Standards:


Engineering Services Manager

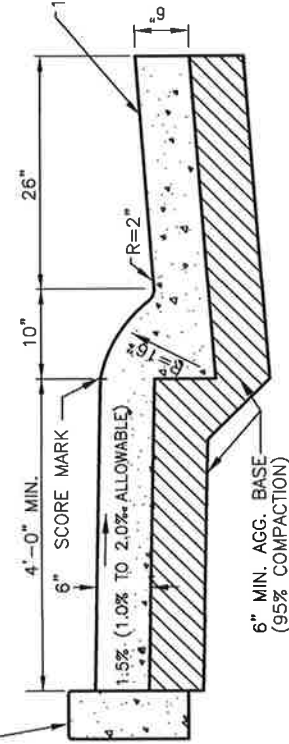
4/3/14
Date

Modification to Improvement Standards Approved:

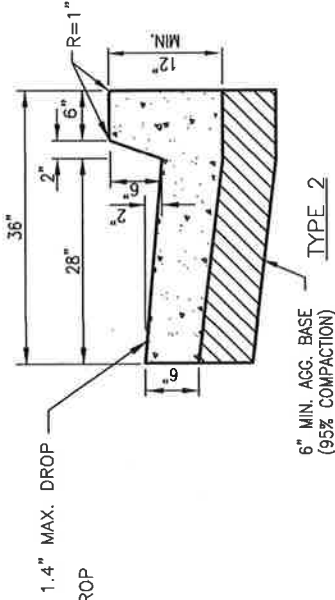

Public Works Director

4/4/14
Date

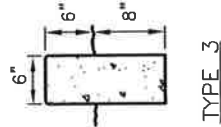
INSTALL TYPE 3 OR TYPE 4 CURB IF ABUTTING PARKING AREA OR LANDSCAPING (EXCEPT LAWN AREA).



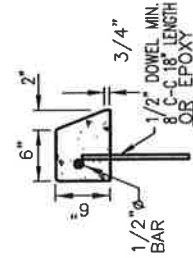
TYPE 1A & TYPICAL SIDEWALK



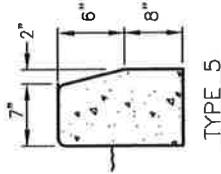
TYPE 2
6" MIN. AGG. BASE (95% COMPACTION)



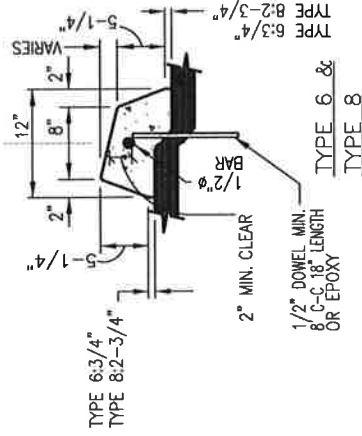
TYPE 3



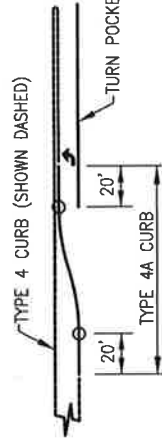
TYPE 4 & 4A
(4A REQUIRES BOTH DOWELS AND EPOXY)



TYPE 5



TYPE 6 & TYPE 8
1/2" DOWEL MIN. 8" C-C LENGTH OR EPOXY
2" MIN. CLEAR



PLAN FOR TYPICAL PLACEMENT OF TYPE 4A CURB

NOTES:
SEE SECTION 27-3.01 FOR REQUIREMENT FOR EXPANSION JOINTS, WEAKENED PLANE JOINTS AND SCORE MARKS.
1/2" RADIUS ON EXPOSED EDGES UNLESS NOTED OTHERWISE.

SEE ST-28 FOR BUS STOP DETAIL
A 1-INCH CONCRETE BATTER SHALL BE PLACED ON ALL CURB LIPS.

DATE:	02/12/2007	NOT TO SCALE
REVISION BY:	APPROVED	DATE
1	DC JP	8/16/2013

APPROVED BY:  4/14/14
CITY ENGINEER



DRAWING NUMBER
ST - 31

CITY OF ELK GROVE - PUBLIC WORKS

TYPICAL CURB & GUTTER SECTIONS