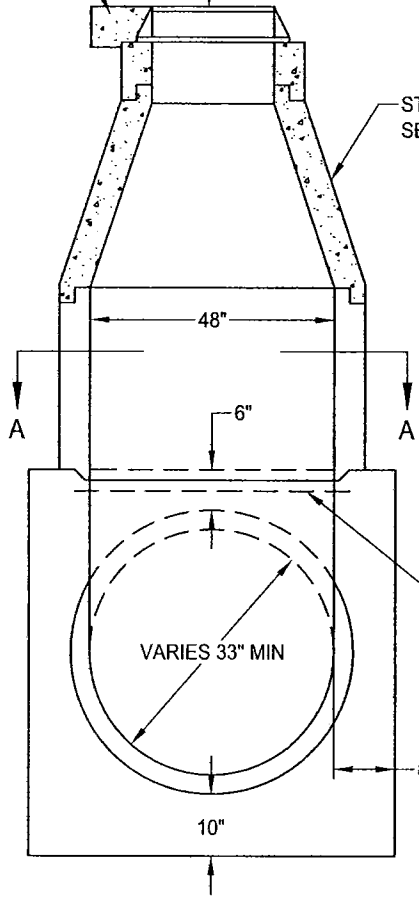


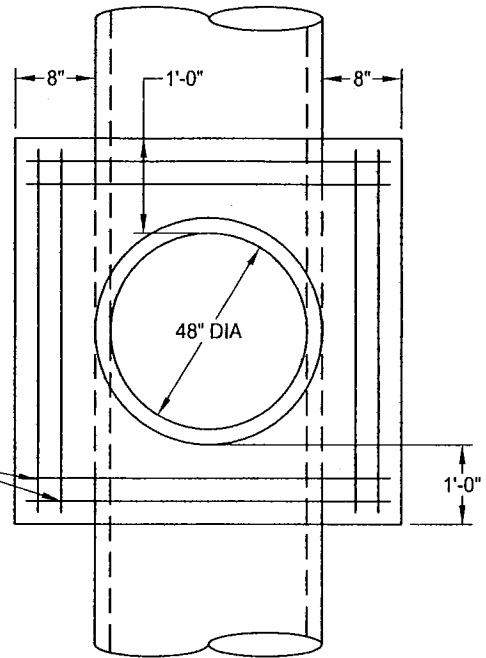
CONCRETE COLLAR  
PER SHEET 1  
OF STD DWG SD-7

STANDARD 24" FRAME AND COVER  
SEE NOTES ON SHEET 1 OF STD DWG SD-7

STANDARD MANHOLE  
SECTION



**TYPE B**



**SECTION A-A**

**NOTES:**

1. CONCRETE SHALL BE CLASS "A" IN CONFORMANCE WITH ARTICLE 50-5 "PORTLAND CEMENT CONCRETE."
2. SEE SECTION 39, "MANHOLES."

DATE: 01/20/2007		NOT TO SCALE	
REVISION	BY	APPROVED	DATE

CITY OF ELK GROVE - PUBLIC WORKS

APPROVED BY:

CITY ENGINEER

**TYPE B  
SADDLE MANHOLE**



DRAWING NUMBER

**SD - 8B**