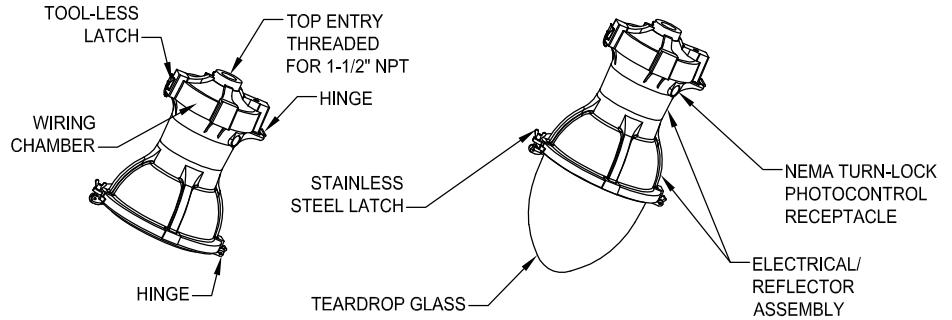


MAXIMUM EFFECTIVE PROJECTED AREA - 2.37 FT²
MAXIMUM WEIGHT - 66 LBS



COVER TYPE
ESU =
 ESPLANADE
 UTILITY

BALLAST TYPE
(MOGUL BASE)
 100HP = 100W HPS
 15AHP = 150W 55V HPS
 250HP = 250 W HPS

VOLTAGE
12 = 120 VOLT

HOUSING
COLOR
 BLACK

OPTICS
 4 = TEARDROP ASYMMETRIC

OPTIONS
 DS = DEEP SKIRT
 SS = SHALLOW SKIRT
 PS = PROTECTED STARTER (HPS ONLY)
 R = TURN-LOCK PHOTOCONTROL RECEPTACLE (REQUIRED)

SPECIFICATIONS

DESCRIPTION

THE ESPLANADE LUMINAIRE IS STYLED TO REPLICATE THE "TEARDROP" LUMINAIRES THAT LIGHTED BOULEVARDS IN THE FIRST HALF OF THIS CENTURY. DESIGNED FOR LIGHT CONTROL AND EASE OF INSTALLATION AND MAINTENANCE, THE ESPLANADE HAS A PRECISION OPTICAL SYSTEM FOR TRUE STREET LIGHTING PERFORMANCE.

WIRING CHAMBER

THE WIRING CHAMBER HAS A 1-1/2 INCH, GASKETED, NPT THREADED ENTRY FOR PENDANT MOUNTING. A STAINLESS STEEL SET SCREW LOCKS THE UNIT IN POSITION. A THREE STATION TERMINAL BLOCK WILL ACCEPT #14 THROUGH #2 WIRES AND IS PREWIRED TO ONE HALF OF THE PLUG ASSEMBLY THAT CONNECTS TO THE REMOVABLE ELECTRICAL MODULE.

ELECTRICAL / REFLECTOR ASSEMBLY

THE ELECTRICAL / REFLECTOR ASSEMBLY HINGES DOWN FROM THE WIRING CHAMBER FOR EASE IN WIRING AND TO FACILITATE THE REMOVAL OF THE ELECTRICAL MODULE. THE ASSEMBLY IS SECURED IN PLACE BY A STAINLESS STEEL LATCH. THE UNITIZED ELECTRICAL MODULE CONSISTS OF THE BALLAST MOUNTED TO AN ALUMINUM PLATE THAT IS EASILY REMOVED BY LOOSENING TWO SCREWS IN KEYHOLE SLOTS. THE DISCONNECT PLUG CONNECTS THE BALLAST TO THE TERMINAL BLOCK IN THE WIRING CHAMBER. THE SOCKET IS STREET LIGHTING GRADE WITH NICKEL PLATED LAMP GRIP SHELL, CENTER CONTACT BACKED BY A COILED SPRING AND GLAZED PORCELAIN BODY. THE ANODIZED AND BRIGHTENED REFLECTOR IS FORMED WITH FLUTES TO CONTROL VOLTAGE RISE IN THE LAMP AND TO WORK IN CONJUNCTION WITH THE REFRACTOR TO PROVIDE THE DESIRED DISTRIBUTION OF LIGHT.

REFRACTOR / DOOR ASSEMBLY

THE CAST ALUMINUM DOOR CRADLES A TEARDROP OR SAG SHAPED, THERMAL RESISTANT BOROSILICATE GLASS REFRACTOR THAT CONTROLS THE LIGHT TO PROVIDE AN I.E.S. SYMMETRIC OR ASYMMETRIC CUT OFF DISTRIBUTION. THE COMBINATION OF REFLECTOR, REFRACTOR AND VERTICAL BURNING LAMP MAXIMIZE EFFICIENCY AND UNIFORMITY OF ILLUMINATION WHILE CONTROLLING LUMINAIRE BRIGHTNESS. THE REFRACTOR ASSEMBLY AND DECORATIVE SKIRT (WHEN APPLICABLE) ASSEMBLY HINGES FROM THE ELECTRICAL / REFLECTOR ASSEMBLY AND IS LATCHED BY A STAINLESS STEEL, CAPTIVE, WING NUT ASSEMBLY.

BALLAST


(REFER TO BALLAST DATA SHEET FOR SPECIFIC OPERATING CHARACTERISTICS)
 150 WATT AND BELOW 120 VOLT HIGH PRESSURE SODIUM (HPS) BALLASTS ARE HIGH POWER FACTOR REACTOR TYPE. ALL OTHER 150 WATT AND BELOW ARE HIGH POWER FACTOR AUTOTRANSFORMER TYPE. 250 AND 400 WATT HPS BALLASTS ARE LEAD TYPE.
 ALL METAL HALIDE (MH) BALLASTS ARE PEAK LEAD AUTOTRANSFORMER TYPE.

FINISH / MATERIAL

THE LUMINAIRE IS FINISHED WITH POLYESTER POWDER PAINT APPLIED AFTER A SEVEN STAGE PRETREATMENT PROCESS TO INSURE MAXIMUM DURABILITY. ALL CASTINGS UTILIZE ALLOY #356 ALUMINUM FOR MAXIMUM CORROSION RESISTANCE AND ALL EXPOSED HARDWARE IS STAINLESS STEEL.

CUL/U.L. LISTING

CUL/U.L. LISTING SUITABLE FOR WET LOCATIONS AT 40 DEGREES C.

DATE: 09/04/2007		NOT TO SCALE		CITY OF ELK GROVE - PUBLIC WORKS		APPROVED BY:	
REVISION	BY	APPROVED	DATE	ZONE 2 LUMINAIRE (SERIES 'A')		CITY ENGINEER	
						DRAWING NUMBER	
							
						SL - 32	