



In some occupancies, there is a need for emergency escape and rescue windows. Because these windows oftentimes take the place of a normal exit door, it's important to remember that the means of egress from a rescue/ventilation or escape window does not end at the window. There must be a way to safely get from the window to a place of safety. Be sure to monitor and maintain landscaping, fences, and outdoor storage that may block or prevent evacuation.

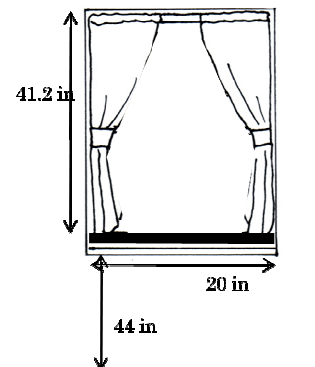
Emergency Escape and Rescue Window Requirements

Minimum clear opening must equal or exceed 5.7 square feet or 821 square inches.

MINIMUM APPROVED OPENING SIZES (inches)

WIDTH x HEIGHT = 821 square inches

20 x 41.2	28 x 29.32
22 x 37.31	30 x 27.36
24 x 34.2	32 x 25.65
26 x 31.57	34.2 x 24



Maximum distance of window sill off floor is 44 inches.

Escape window shall be operational from the inside without the use of keys or tools.

Escape window should not have a screen to obstruct use in an emergency. If provided, a screen must be easily removed from the inside.

Considerations for other than main floor

Basement or level partially below grade:

If the window leads to a window well, the well should be a minimum of 9 square feet in an area with a minimum of 36 inches on each side. If the window well is more than 44 inches deep, a stair or ladder is required. It shall be permanently affixed to the side of the window well, extend no more than six inches into the window well space, and should not be obstructed by the window.

A covering may be used over the window well as long as the force required to remove the covering is about the same as would be required to open the window. The covering can not be bolted down, although one side can be hinged.

Second floor or level above grade:

Ladders are **not** an acceptable way to descend from a rescue/ventilation window. Ladders of any sort, whether rescue or permanently affixed, will not be accepted by the Kansas State Fire Marshal's Office. Your local jurisdiction may require rescue/ventilation windows to lead to decks or platforms that descend to grade by way of steps; especially if they are unable to conduct rescue operations at the designated window.