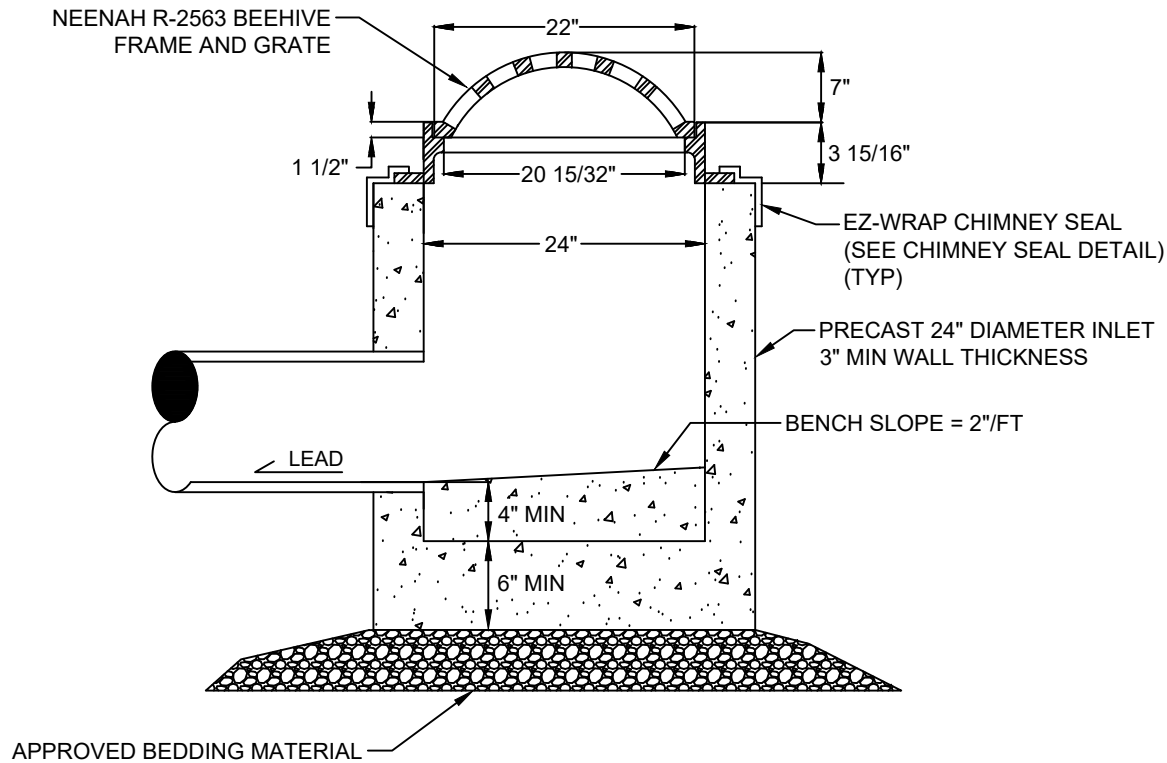


ALL BEEHIVE INLETS/CATCH BASINS SHALL BE IN ACCORDANCE WITH DETAIL STM-4 UNLESS STM-4 CANNOT BE CONSTRUCTED DUE TO LACK OF OBTAINABLE DEPTH AND THIS 24-INCH DIAMETER INLET IS APPROVED BY THE VILLAGE ENGINEER



NOTES:

1. SET CASTING ON A TROWELED 1/4 INCH THICK LAYER OF BUTYL RUBBER SEALANT. THE BUTYL RUBBER SEALANT SHALL BE EZ-STICK OR KENT-SEAL BUTYL BASE SEALANT IN TROWELABLE GRADE OR EQUAL.
2. REFER TO VILLAGE STANDARD SPECIFICATIONS FOR STORM SEWER.

SCALE: NTS

24-INCH DIAMETER BEEHIVE INLET

DETAIL: STM - 4A

DATE: 1-4-21

APPROVED BY: MATT FINEOUR

VILLAGE OF PLEASANT PRAIRIE  
KENOSHA COUNTY, WISCONSIN